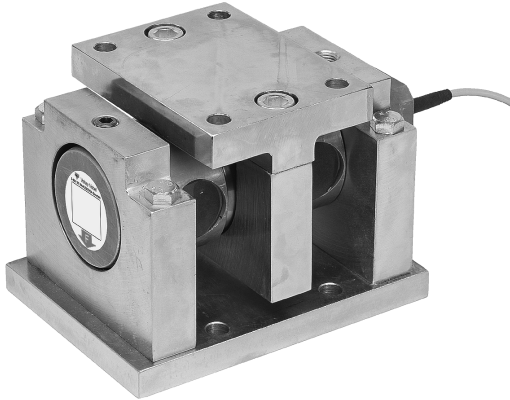


Weigh Module



FEATURES

- Simple installation
- No extra mounting detail is needed
- Suitable for weighing in large size
- Movable load point
- Allow movement caused by thermal expansion
- Atex approved for hazardous areas

TECHNICAL DATA

Rated load (R.L.)		kN	500, 800
Combined error (terminal)		% of R.O.	± 0.1
Repeatability		% of R.O.	0.02
Overload	safe	% of R.L.	50
	ultimate	% of R.L.	100
Input voltage	recommended	V DC or AC	10
	maximum	V DC or AC	18
Input resistance		ohm	350 ± 5
Output resistance		ohm	350 ± 0.5
Rated output (R.O.)		mV/V	2.040
Tolerance of R.O.		% of R.O.	± 0.25
Zero balance		% of R.O.	± 2
Tolerance of shunt calibration values		% of value**	± 0.25
Creep at R.L. after 30 min		% of R.L.	± 0.03
Temperature range		°C	- 40 to + 80 (+ 100)***
Temperature effect (- 10 to + 50°C)	on output	% of output/°C	± 0.003
	on zero balance	% of R.O./°C	± 0.003
Insulation resistance at 200 V DC		Gohm	> 4
Material			Yellow chromate steel
Electrical connection			10 m shielded four conductor cable IP 67

*referring to recommended loading case

**See calibration sheet of the load cell

***- 40 to + 100°C on demand

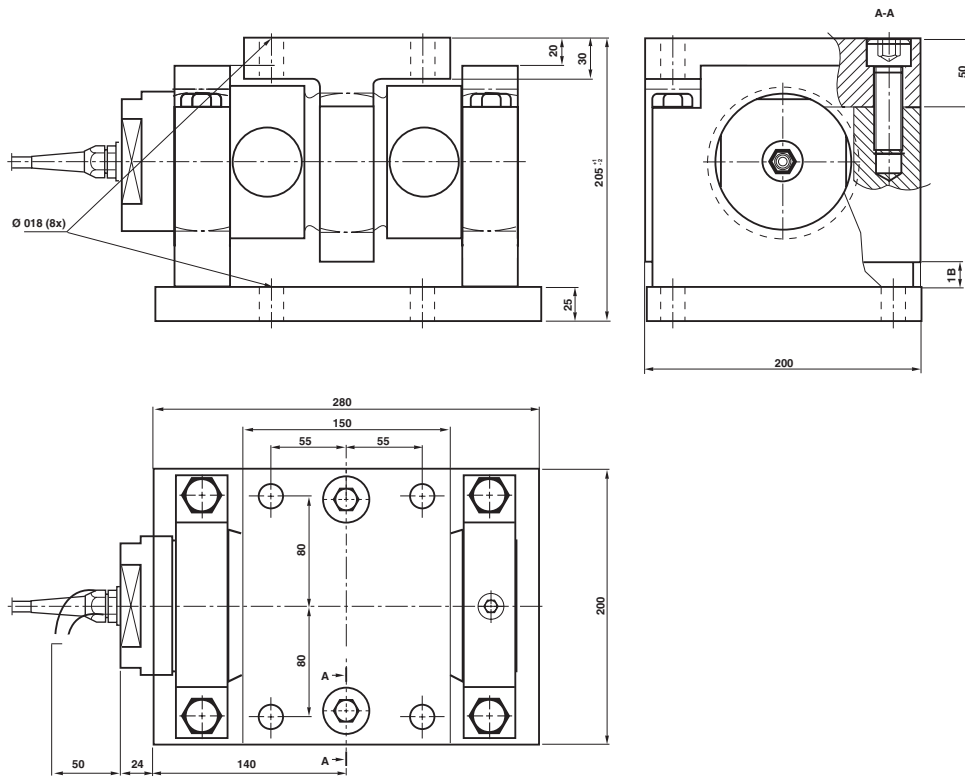
ATEX certified versions for use in explosive atmospheres are available.



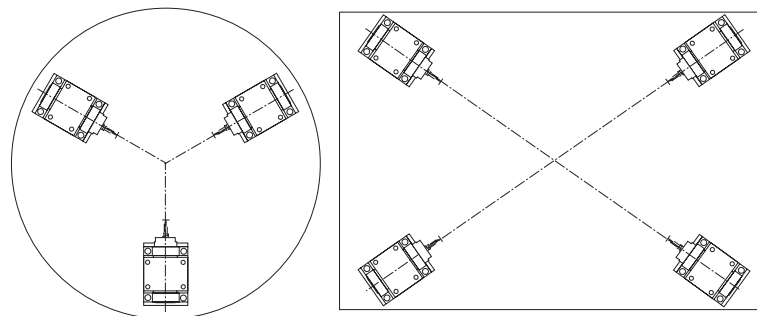
II 1GD

EEx ia IIC T4 Tamb = 60°C

DIMENSIONS KIMD-1 MODULE



ORIENTATION OF WEIGH MODULES



Recommended weigh module orientation in order to give self locking conditions and freedom for mechanical movements caused by temperature.