

Low Profile Compression Disk

FEATURES

- Capacities: 5k, 10k, 25k, 50k, 100k lbs
- Electroless nickel-plated alloy tool steel
- Compact size with low profile
- Surge protection optional for 5k–100k lbs
- **Optional**
 - Stainless steel available
 - FM approval available
 - LCD-TT/M/MH with different loading holes



APPLICATIONS

- Truck/rail scales
- Silo/hopper/tank weighing
- Universal material tester
- Tensile/pulling force measurement

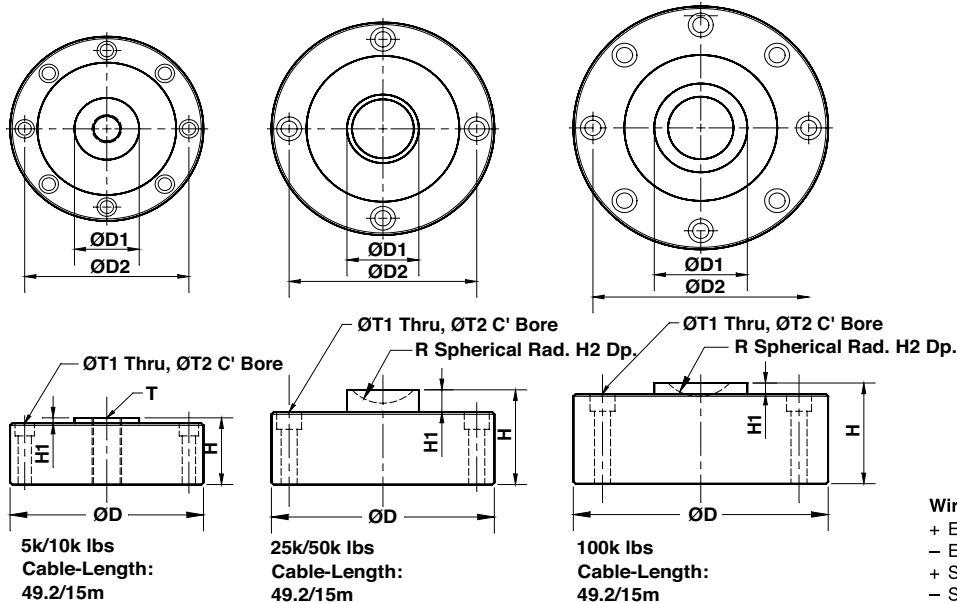
DESCRIPTION

The low profile compression disk is designed as the ultimate solution for some difficult applications with critical height for safety reasons. The shear web design

provides excellent performance even when the side force inevitably exists in normal operations. The typical example for side force resistance is the applications in motor truck scales.

LCD is constructed of alloy steel and fully potted with special chemical compounds to IP67 providing excellent protection against moisture and humidity.

OUTLINE DIMENSIONS



CAPACITY		D	D ₁	D ₂	H	H ₁	H ₂	R	T	T ₁	T ₂
5k/10k lbs	mm	104.7	32.0	88.9	34.8	3.05	---	---	5/8-18UNF	7.2	10.5 x 7.2DP
	(inch)	4.12	1.26	3.50	1.37	0.12	---	---	---	0.28	0.41 x 0.28DP
25k/50k lbs	mm	120.7	38.9	101.6	53.8	12.7	7.6	22.2	---	8.7	13.5 x 9.7DP
	(inch)	4.75	1.53	4.00	2.12	0.50	0.30	0.87	---	0.34	0.53 x 0.38DP
100k lbs	mm	138	50.4	116.8	57.2	6.4	7.6	2.2	---	10.13	16.5 x 11.0DP
	(inch)	5.43	1.98	4.60	2.25	0.25	0.30	0.87	---	0.41	0.65 x 0.43DP

Low Profile Compression Disk

SPECIFICATIONS		
PARAMETER	VALUE	UNIT
NTEP/OIML accuracy class	Non-Approved	
Maximum no. of intervals (n)	2000	
$Y = E_{max}/V_{min}$	5000	Maximum available
Standard capacities (E_{max})	5k, 10k, 25k, 50k, 100k	lbs
Rated output—R.O.	4.0	mV/V
Rated output tolerance	0.25	±% of rated output
Zero balance	1	±% of rated output
Non-linearity	0.050	±% of rated output
Hysteresis	0.050	±% of rated output
Non-repeatability	0.020	±% of rated output
Creep error (20 minutes)	0.030	±% of rated output
Zero return (20 minutes)	0.030	±% of rated output
Temperature effect on min. dead load output	0.0026	±% of rated output/°C
Temperature effect on sensitivity	0.0015	±% of applied load/°C
Compensated temperature range	-10 to +40	°C
Operating temperature range	-20 to +60	°C
Safe sideload	150	% of R.C.
Ultimate overload	300	% of R.C.
Excitation, recommended	10	VDC or VAC RMS
Excitation, maximum	15	VDC or VAC RMS
Input impedance	385±5*	Ω
Output impedance	350±3**	Ω
Insulation resistance	>5000	MΩ
Construction	Nickel-plated alloy steel	
Environmental protection	IP67	

* 770±10 Ohms for 100k lbs

** 700±5 Ohms for 100k lbs

All specifications subject to change without notice.

FM Approval

Intrinsically Safe: Class I, II, III; Div. 1 Groups A-G

Non-Incendive: Class I; Div. 2 Groups A-D

Disclaimer

ALL PRODUCTS, PRODUCT SPECIFICATIONS AND DATA ARE SUBJECT TO CHANGE WITHOUT NOTICE.

Vishay Precision Group, Inc., its affiliates, agents, and employees, and all persons acting on its or their behalf (collectively, "Vishay Precision Group"), disclaim any and all liability for any errors, inaccuracies or incompleteness contained herein or in any other disclosure relating to any product.

The product specifications do not expand or otherwise modify Vishay Precision Group's terms and conditions of purchase, including but not limited to, the warranty expressed therein.

Vishay Precision Group makes no warranty, representation or guarantee other than as set forth in the terms and conditions of purchase. **To the maximum extent permitted by applicable law, Vishay Precision Group disclaims (i) any and all liability arising out of the application or use of any product, (ii) any and all liability, including without limitation special, consequential or incidental damages, and (iii) any and all implied warranties, including warranties of fitness for particular purpose, non-infringement and merchantability.**

Information provided in datasheets and/or specifications may vary from actual results in different applications and performance may vary over time. Statements regarding the suitability of products for certain types of applications are based on Vishay Precision Group's knowledge of typical requirements that are often placed on Vishay Precision Group products. It is the customer's responsibility to validate that a particular product with the properties described in the product specification is suitable for use in a particular application.

No license, express, implied, or otherwise, to any intellectual property rights is granted by this document, or by any conduct of Vishay Precision Group.

The products shown herein are not designed for use in life-saving or life-sustaining applications unless otherwise expressly indicated. Customers using or selling Vishay Precision Group products not expressly indicated for use in such applications do so entirely at their own risk and agree to fully indemnify Vishay Precision Group for any damages arising or resulting from such use or sale. Please contact authorized Vishay Precision Group personnel to obtain written terms and conditions regarding products designed for such applications.

Product names and markings noted herein may be trademarks of their respective owners.