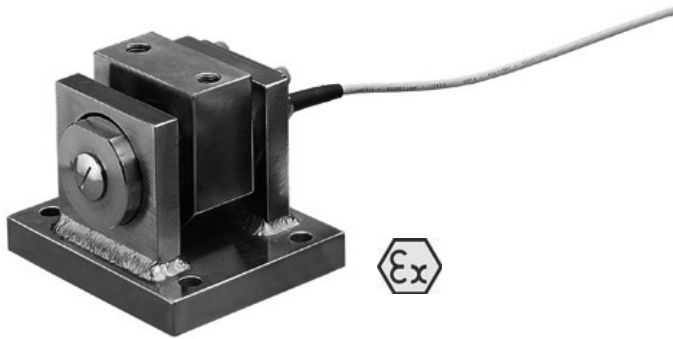


Weigh Module



FEATURES

- Suitable for load and level monitoring in storage tanks
- Rugged design
- ATEX approved
- Simple installation

DESCRIPTION

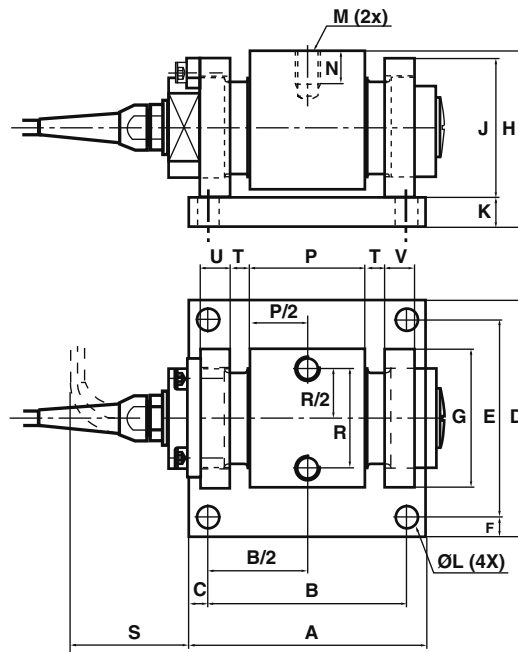
The KOM-1 weigh module has an accuracy, which makes it especially suitable for load and level monitoring in storage tanks.

The sensing element consists of three sections. The two outer sections constitute supports and rest on the built-in block, which is secured to the base. On the middle section, which is the load sensing part, there is a yoke to which the leg of the tank is secured. The sensor is efficiently locked so that it cannot twist in the built-in block.

APPLICATIONS

- Process weighing
- Level monitoring

OUTLINE DIMENSIONS



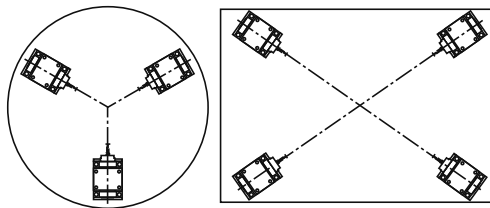
| RANGE kN | A | B | C | D | E | F | G | H±1 | J | K ⁰ ₋₁ | ØL |
|----------|-----|-----|----|-----|-----|----|-----|-----|-----|------------------------------|----|
| 10-20-50 | 120 | 100 | 10 | 120 | 100 | 10 | 70 | 89 | 70 | 15 | 11 |
| 100 | 120 | 100 | 10 | 120 | 100 | 10 | 70 | 89 | 70 | 15 | 11 |
| 200 | 140 | 90 | 25 | 170 | 140 | 15 | 100 | 135 | 100 | 24 | 14 |

| RANGE kN | M | N | P | R | S | T | U ⁰ ₋₁ | V ⁰ ₋₁ |
|----------|-----|----|----|----|----|----|------------------------------|------------------------------|
| 10-20-50 | M12 | 18 | 33 | 50 | 47 | 10 | 15 | 15 |
| 100 | M12 | 18 | 48 | 50 | 60 | 10 | 20 | 20 |
| 200 | M16 | 28 | 48 | 70 | 50 | 10 | 30 | 20 |

SPECIFICATIONS

| | | | |
|--|-----------------|--|---|
| Rated load (R.L.) | | 10, 20, 50, 100, 200 | kN |
| Typical combined error (terminal) | | 0.25 | % of R.O. |
| Repeatability | | 0.25 | % of R.O. |
| Overload (referred to recommended loading point) | safe | 100 | % of R.L. |
| | ultimate | 200 | % of R.L. |
| Input voltage | recommended | 10 | V DC or AC |
| | maximum | 18 | V DC or AC |
| Input resistance | | 350±5 | ohm |
| Output resistance | | 350±5 | ohm |
| Rated output (R.O.) | | 1 | mV/V |
| Zero balance | | ±5 | % of R.O. |
| Tolerance of shunt calibration values | | ±1 | % of value (actual output listed on unit calibration sheet) |
| Temperature range | | -40 to +80 -40 to +100 upon request | °C |
| Temperature effect | on output | ±0.04 | % of output/°C |
| | on zero balance | ±0.04 | % of R.O./°C |
| Insulation resistance at 200V DC | | >4 | Gohm |
| Material: Load Cell | | Stainless steel | |
| Built in block | | Yellow chromate steel | |
| Electrical connection | | 5m shielded four conductor cable | 10, 20, 50kN |
| | | 10m shielded four conductor cable | 100, 200kN |
| Degree of protection | | IP 67 | |

ATEX certified versions for load cell KOSD-40 in weigh module KOM-1 for use in explosive atmospheres are available upon request: II 1GD.

INSTALLATION EXAMPLES

Disclaimer

ALL PRODUCTS, PRODUCT SPECIFICATIONS AND DATA ARE SUBJECT TO CHANGE WITHOUT NOTICE.

Vishay Precision Group, Inc., its affiliates, agents, and employees, and all persons acting on its or their behalf (collectively, "Vishay Precision Group"), disclaim any and all liability for any errors, inaccuracies or incompleteness contained herein or in any other disclosure relating to any product.

The product specifications do not expand or otherwise modify Vishay Precision Group's terms and conditions of purchase, including but not limited to, the warranty expressed therein.

Vishay Precision Group makes no warranty, representation or guarantee other than as set forth in the terms and conditions of purchase. **To the maximum extent permitted by applicable law, Vishay Precision Group disclaims (i) any and all liability arising out of the application or use of any product, (ii) any and all liability, including without limitation special, consequential or incidental damages, and (iii) any and all implied warranties, including warranties of fitness for particular purpose, non-infringement and merchantability.**

Information provided in datasheets and/or specifications may vary from actual results in different applications and performance may vary over time. Statements regarding the suitability of products for certain types of applications are based on Vishay Precision Group's knowledge of typical requirements that are often placed on Vishay Precision Group products. It is the customer's responsibility to validate that a particular product with the properties described in the product specification is suitable for use in a particular application.

No license, express, implied, or otherwise, to any intellectual property rights is granted by this document, or by any conduct of Vishay Precision Group.

The products shown herein are not designed for use in life-saving or life-sustaining applications unless otherwise expressly indicated. Customers using or selling Vishay Precision Group products not expressly indicated for use in such applications do so entirely at their own risk and agree to fully indemnify Vishay Precision Group for any damages arising or resulting from such use or sale. Please contact authorized Vishay Precision Group personnel to obtain written terms and conditions regarding products designed for such applications.

Product names and markings noted herein may be trademarks of their respective owners.